

INTEVAC INC

FORM 8-K (Current report filing)

Filed 05/13/03 for the Period Ending 05/13/03

Address	3560 BASSETT STREET SANTA CLARA, CA, 95054
Telephone	4089869888
CIK	0001001902
Symbol	IVAC
SIC Code	3559 - Special Industry Machinery, Not Elsewhere Classified
Industry	Industrial Machinery & Equipment
Sector	Industrials
Fiscal Year	12/31

INTEVAC INC

FORM 8-K (Unscheduled Material Events)

Filed 5/13/2003 For Period Ending 5/13/2003

Address	356O BASSETT ST SANTA CLARA, California 95054
Telephone	408-986-9888
CIK	0001001902
Industry	Computer Storage Devices
Sector	Technology
Fiscal Year	12/31

SECURITIES AND EXCHANGE COMMISSION
WASHINGTON, D.C. 20549

FORM 8-K

CURRENT REPORT
Pursuant to Section 13 or 15(d) of
The Securities Exchange Act of 1934

May 13, 2003

Date of Report (date of earliest event reported)

INTEVAC, INC.

(Exact name of Registrant as specified in its charter)

State of California
(State or other jurisdiction
of incorporation or organization)

0-26946
(Commission File Number)

94-3125814
(IRS Employer
Identification Number)

3560 Bassett Street
Santa Clara, CA 95054

(Address of principal executive offices)

(408) 986-9888

(Registrant's telephone number, including area code)

N/A

(Former name or former address if changed since last report)

TABLE OF CONTENTS

Item 7. Financial Statements and Exhibits
EXHIBIT INDEX
EXHIBIT 99.1

Table of Contents

Item 9.

Please find the AEA Micro Cap Financial Conference Presentation attached as Exhibit 99.1.

Item 7. Financial Statements and Exhibits

(c) Exhibits

99.1 Investor Presentation.

Table of Contents

Pursuant to the requirements of the Securities Exchange Act of 1934, the registrant has duly caused this report to be signed on its behalf by the undersigned hereunto duly authorized.

INTEVAC, INC.

Date: May 13, 2003

By: /s/ CHARLES B. EDDY III

Charles B. Eddy III
Vice President, Finance and
Administration, Chief Financial
Officer, Treasurer and Secretary

EXHIBIT INDEX

99.1 Investor Presentation

Intevac, Inc.



AeA Investment Presentation
Kevin Fairbairn, CEO
May 2003

5/13/03_AeA_KF

Innovation at the Speed of Light

intevac

Cautionary Disclaimer

During the course of this presentation, we will comment upon future events and make projections about the future financial performance of the Company, including statements related to the Company's expected sales, product shipments and acceptance, gross margins, operating expenses, profits, cash flow, and income tax expense. We will discuss our products, the markets they address and acceptance of those products by the market. We wish to caution you that these are forward looking statements that are based upon our current expectations, and that actual results could differ materially as a result of various risks and uncertainties, including, without limitation, the following: inability to develop and deliver new products and technologies as planned; inability to accurately forecast the demand for our products and services; the possibility that orders in backlog may be cancelled, delayed or rescheduled; and other risk factors discussed in documents filed by the Company with the Securities and Exchange Commission, including the Company's Annual Report on Form 10-K and Quarterly Reports on Form 10-Q. The Company undertakes no obligation to update the forward-looking statements made during this presentation.

Intevac

NASDAQ NM	IVAC
Shares Outstanding	12.2M
Market Cap	\$ 60M

Intensified Imaging Business

- Unique Next Generation Digital Imaging Systems for Night Vision
- Transitioning From Contract R&D to Product Revenues
- Significant Growth Opportunity
 - Multiple Military applications already in qualification
 - Commercial market in development

Potential > \$200 Million/year

Equipment Products Business

- Hard Disk Drive Media Coating Equipment
- Market Share Leader
 - Top 6 customers use Intevac Equipment
- Significant Recovery and Growth Opportunity
 - New tools driven by capacity and technology upgrades

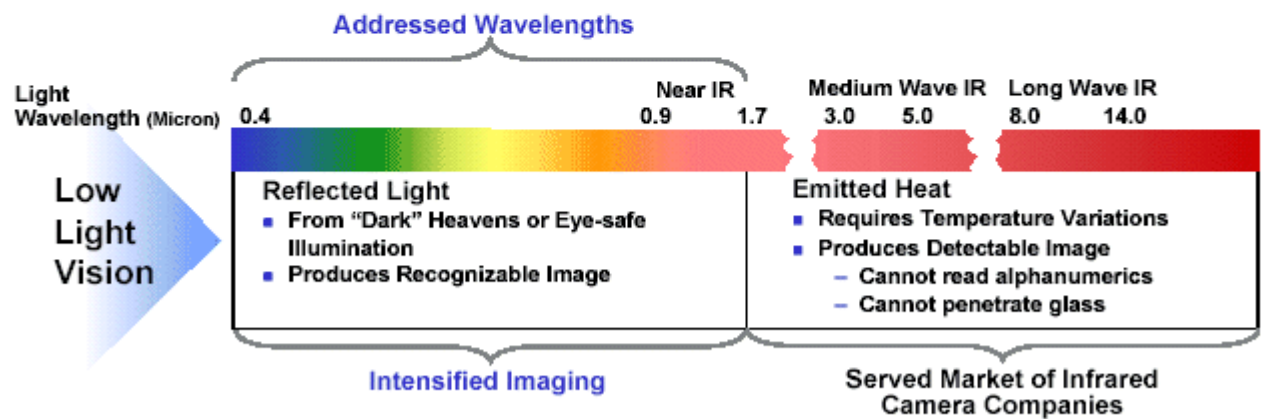
Potential > \$100 Million/year

Intensified Imaging Business

Mission

To Be The Global Leader in Cost Effective Intensified Imaging Products Built Upon:

- Leveraging advances from the digital world to provide cost effective, smart imaging solutions
- Strategic partnerships with major system providers to address multiple markets

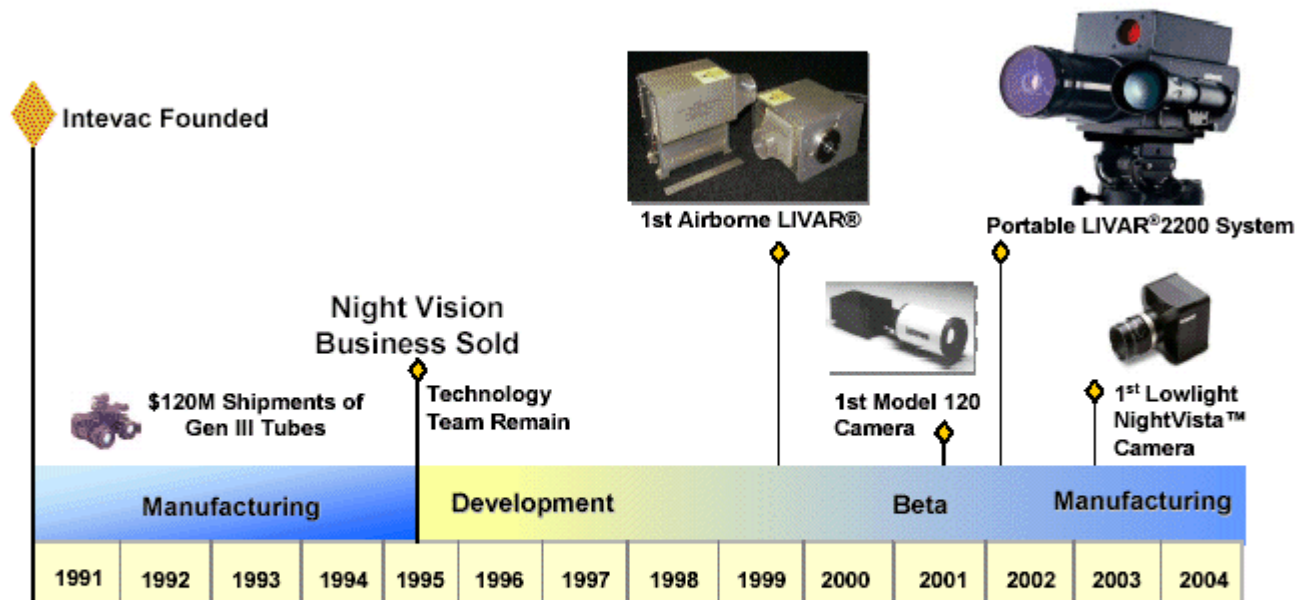


5/13/03_AeA_KF

Innovation at the Speed of Light

intevac

Intensified Imaging History



>\$60 Million Spent On Development Of Next Generation Technology

5/13/03_AeA_KF

Innovation at the Speed of Light

intevac

Intensified Imaging Products & Applications

Long Range

Medium to Short Range

Airborne



Airborne Laser
Anti-Missile



Security Cameras



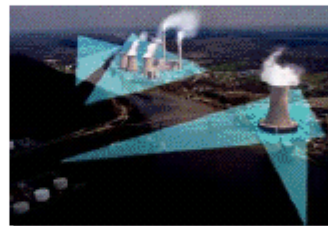
NightVista™



Photon-Processor™
Solid State Sensor



LIVAR®



Homeland Security



Ground Vehicle



Maritime



Manportable



Head Mounted Display

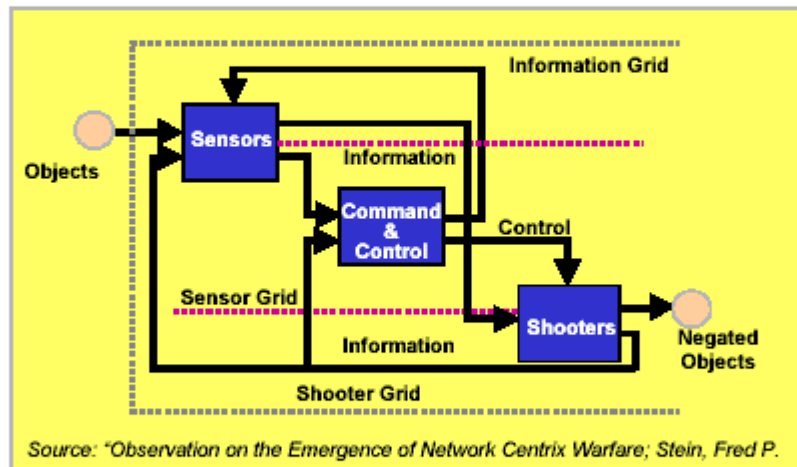
5/13/03_AeA_KF

Innovation at the Speed of Light

intevac

Military Intensified Imaging Products

- Military Prefers to Fight In The Dark
- Military Is Evolving to “Network Centric” Warfare



Intevac Has Developed Revolutionary Digital Based Intensified Imaging Products That Address The Imaging Sensor Inputs to Command & Control

5/13/03_ AaA_KF

Innovation at the Speed of Light

intevac

Cost Effective Long Range Imaging LIVAR[®]



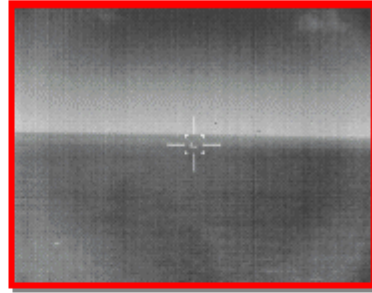
LIVAR[®]2200

- Covert Target Identification at Long Range
- Eye-Safe
- Compact and Light Weight
 - Man Portable
 - Retrofitable to Existing Targeting Systems

How LIVAR[®] Works

■ Detect

Forward Looking Infra Red
Or Radar
Or GPS Coordinates



■ Range and Illuminate

- Eye Safe Laser
- Covert

■ Image

- 5x Increase in ID Range



■ Communicate

- Digital Information

LIVAR[®] Technology Breakthrough



Alphanumeric



Sees Through Glass

Range = 11km
over water at Night



Range = 28 km at Night



Range = 10 km at Night



NEWS From:

Congressman Mike Honda

FIFTEENTH DISTRICT - CALIFORNIA



For Immediate Release
October 23, 2002

Contact: Ruben Pulido Jr.
202.225.3327 ruben.pulido@mail.house.gov

Rep. Honda Secures Funding for Silicon Valley Companies in Defense Bill Signed by President

WASHINGTON, October 23, 2002 — Today, President Bush signed into law a \$355.1 billion defense appropriations bill for fiscal year 2003 that includes provisions that Representative Mike Honda (D-San Jose) lobbied for. "This defense bill gives the federal government the necessary resources to continue to fight the war against terrorism," said Rep. Honda. "We will increase national security by allowing the military to continue to take advantage of technological advancements, many of which are developed in Silicon Valley." Following are earmarks that Rep. Honda secured for Department of Defense programs with a Silicon Valley impact:

LIVAR Sensor Development Program – \$4.2 million

Laser Illuminated Viewing and Ranging (LIVAR) technology enables target identification at longer ranges than presently possible. This capability will give U.S. forces more effective systems by increasing targeting effectiveness and reducing collateral damage. Intevac, a Santa Clara-based manufacturer of complex capital equipment, produces LIVAR technology.



LIVAR® 2200

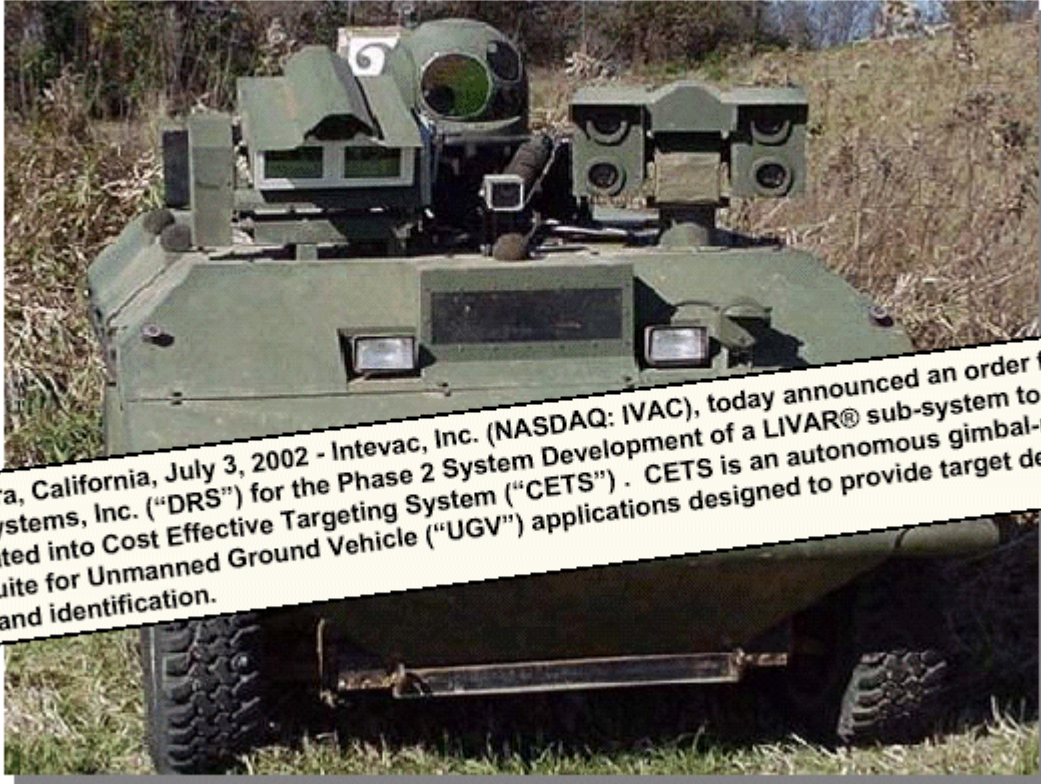
Congress Makes LIVAR® a Budget Line Item to Accelerate Its Deployment

5/13/03_AeA_KF

Innovation at the Speed of Light

intevac

CETS: Cost Effective Targeting System



Santa Clara, California, July 3, 2002 - Intevac, Inc. (NASDAQ: IVAC), today announced an order from DRS Sensor Systems, Inc. ("DRS") for the Phase 2 System Development of a LIVAR® sub-system to be incorporated into Cost Effective Targeting System ("CETS"). CETS is an autonomous gimbal-mounted sensor suite for Unmanned Ground Vehicle ("UGV") applications designed to provide target detection, location and identification.

Airborne Laser Program

Wednesday July 18, 2002 8:01 am Eastern

Time Press Release

Modified Airborne Laser Aircraft Completes First Flight From Boeing Flight Line in Wichita

ST. LOUIS, July 18, 2002 -- The first Airborne Laser (ABL) aircraft, extensively modified by Boeing [NYSE: BA] to house the revolutionary ABL ballistic missile-defense system, successfully flew for the first time today.



5/13/03_AeA_KF

Innovation at the Speed of Light

intevac

Short To Medium Range Night Vision

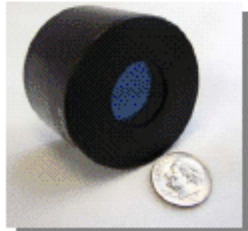
Today
(1970's Technology)



Heavy, Cumbersome



Direct View
(Blinded by Light)



Vacuum Tube Technology
Expensive

Tomorrow



Light, Compact



Video Output
(Day/Night Operation)



Solid State Intevac Device
Low Cost, Low Power

Market
Opportunity
> \$200M / Year

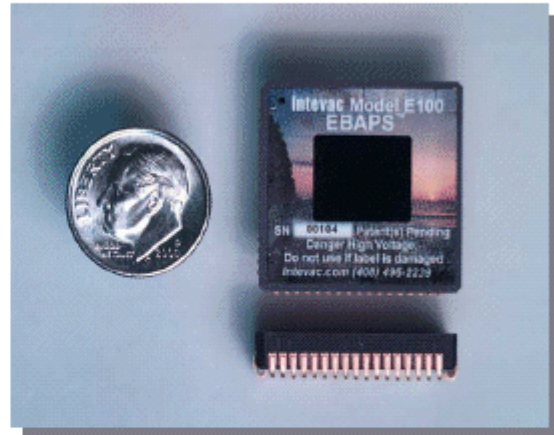
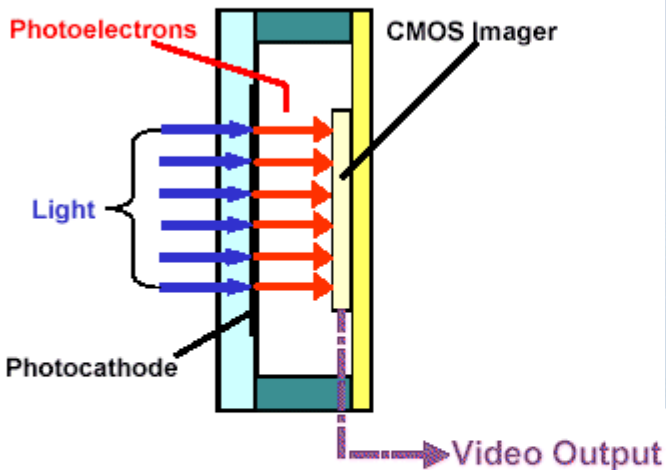
5/13/03_AeA_KF

Innovation at the Speed of Light

intevac

Photon-Processor™

Extreme Low Light Level Digital Video Imager



Photon-Processor™

Uses Electron Bombardment Active Pixel Sensor (EBAPS™) Technology

- Low Cost
- Patented Technology
- Camera Electronics On-chip
- Day/Night Operation
- SXGA (1024 X 1280) Resolution
- Low Power <600 Mw @ 3 VDC

5/13/03_AeA_KF

Innovation at the Speed of Light

intevac

Head-Mounted Cameras



Military HMD

- Gen III Night Vision Performance Coupled with a High Resolution Miniature Display
- 1st Camera Shipments Q1 03
- Multiple Customers for Different Programs

intevac

3560 Bassett Street, Santa Clara CA 95054

For Immediate Release

Contact: Charley Eddy, CFO
(408) 496-2259
ceddy@intevac.com

INTEVAC ANNOUNCES CONTRACT WITH SAIC FOR DEVELOPMENT OF A PROTOTYPE INTENSIFIED CMOS CAMERA FOR ARMY HEAD MOUNTED DISPLAY APPLICATIONS

Santa Clara, California, October 29, 2002 - Intevac, Inc. (NASDAQ: IVAC) today announced that it has been awarded an \$860,000 contract from SAIC for development of a miniature intensified CMOS camera based on Intevac's EBAPS™ technology. The program is funded by the U.S. Army and is managed by the Night Vision and Electronic Sensors Directorate (NVESD) at Ft. Belvoir, VA.

\$200M Annual Potential Military Market Beginning 2007*

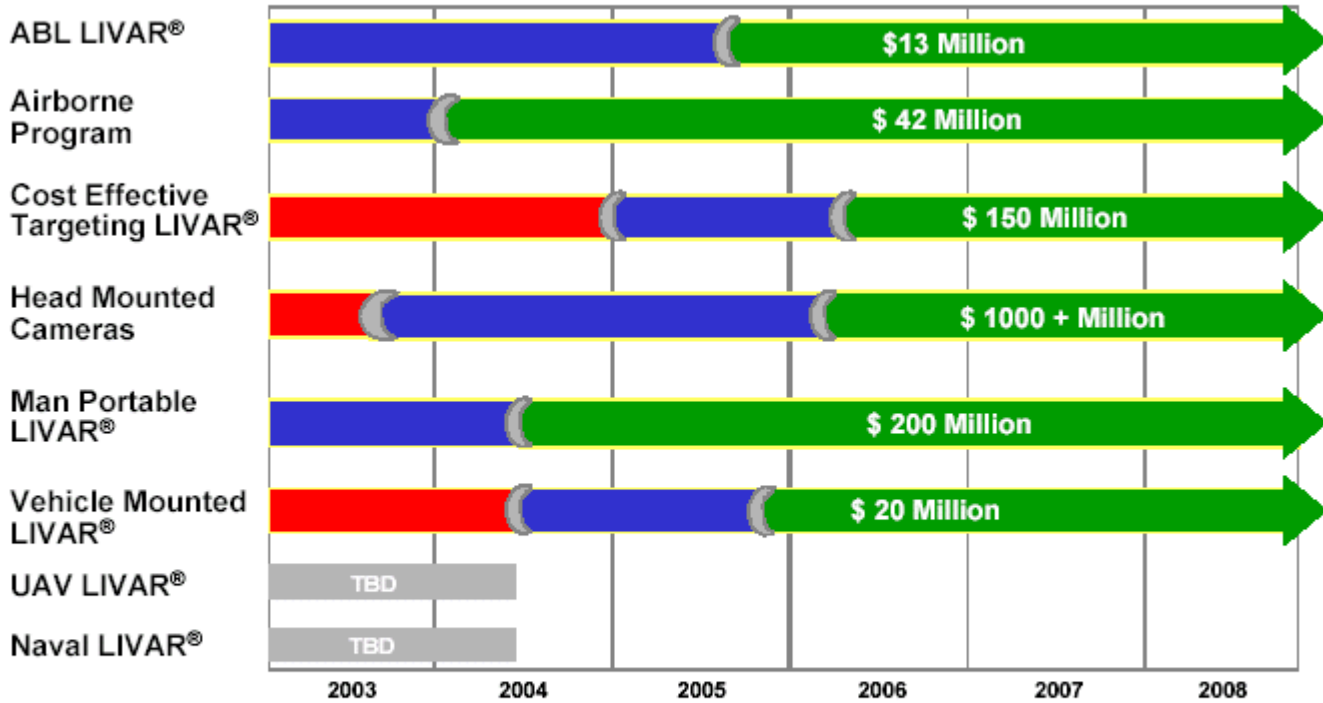
* Company Estimate

5/13/03_AeA_KF

Innovation at the Speed of Light

intevac

Military Intensified Imaging Product Pipe Line



Typical Production Run: 8-10 years



5/13/03_AeA_KF

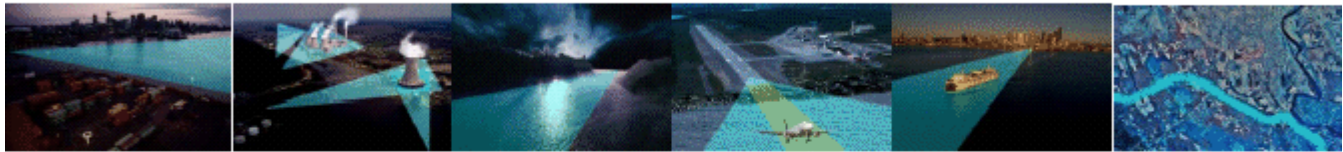
Innovation at the Speed of Light



Commercialized Intensified Imaging Business

Leveraging Technology Developed for Military both at Intevac and Elsewhere

Large Scale Infrastructure Security Using LIVAR®



Port Authority

Infrastructure Support

Water Watch

Extended Runway

Ferry or Tanker Watch

Border Control

- LIVAR® Enables Automated Detection and Identification of Potential Threats Over Large Areas
- Available Q4 2003

Short to Medium Range Night Time Security/Surveillance



- NightVista™ Extreme Low Light Video Cameras Available Q2 2003

Total Available Market Estimated at > \$700 Million

5/13/03_AeA_KF

Innovation at the Speed of Light

intevac

Equipment Products Business

Mission

To Be the Leading Supplier of Equipment and Services to the Hard Disk Drive Industry Built Upon:

- Winning Our Customer's Trust By Delivering Timely Results
- Enabling Our Customer to Improve Their Business Results Through Our Product Innovation and Enhancement of Customer Productivity

Opportunity

- The HDD Industry is a \$20B Business With Significant Technology and Cost Challenges
 - Capital spending is > \$1B
 - Intevac share today is < 5%

5/13/03_AeA_KF

Innovation at the Speed of Light

intevac



Equipment Products Business Strategy

- Win Majority of Technology and Capacity Hard Disk Drive Media Coating Tool Buys in 2003 - 2006 Timeframe
 - Critical for ongoing business success
- Build Service, Spares and Consumable Business
 - Protect against cyclic nature of system buys
 - Establishing larger presence in Asia to manage after system sales business
- Expand Served Available Market by Developing Equipment for Other Hard Disk Drive Manufacturing Applications

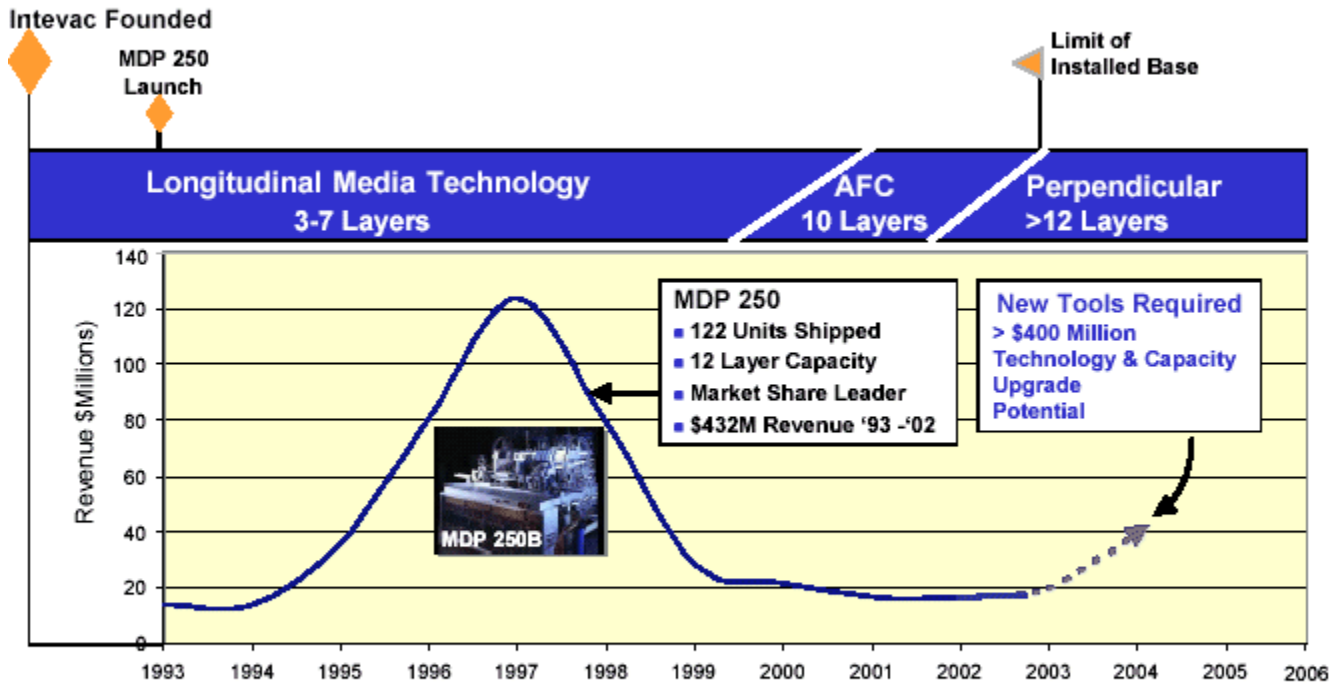
5/13/03_AeA_KF

Innovation at the Speed of Light

intevac



Business Opportunity Equipment Products Division



2002 – 2003 Represent A Positive Turning Point

5/13/03_AeA_KF

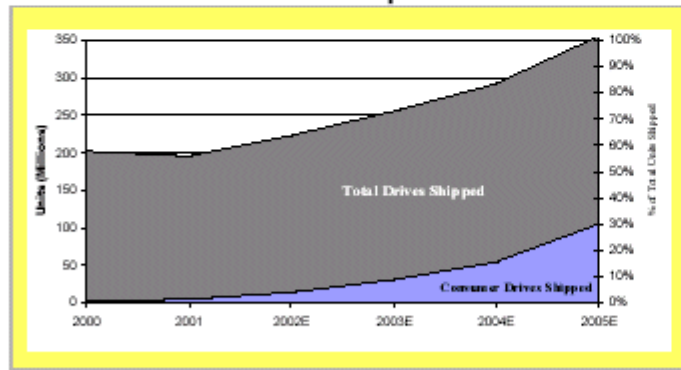
Innovation at the Speed of Light

intevac

Equipment Products Business Outlook

- First Capacity Buys in 2002 Since 1998
 - Quotation activity up
- Analysts Forecasting 25% Growth Over Next 3 Years in Hard Drive Unit Shipments

Hard Drive Shipments



Consumer Applications Fuel Growth

Source: TrendFocus & Salomon Smith Barney

5/13/03_AeA_KF

Innovation at the Speed of Light

intevac

Balance Sheet

(\$ Millions)

	<u>3/29/03</u>	<u>3/30/02</u>
Cash	\$23	\$14
RM & WIP	6	15
Finished Goods	3	8
Accounts Receivable	6	12
Property, Plant and Equipment	7	8
Other	4	4
Total Assets	\$49	\$61
Accounts Payable and Accruals	\$6	\$8
Customer Advances	5	16
Convertible Notes due 2004	1	38
Convertible Notes due 2009	30	-
Shareholder Equity	7	(1)
Liabilities and Shareholders' Equity	\$49	\$61

Intevac Summary

Intensified Imaging Business

- Unique Technology to Address Significant and Growing Markets
- Significant Market
 - Military market development in process
 - Commercial market development starting

Equipment Products Business

- Major New Equipment Investment Cycle Starting
- Market Share Leader

Opportunity for Significant Revenue and Value Growth

5/13/03_AeA_KF

Innovation at the Speed of Light

intevac

End of Filing

Powered By **EDGAR**
Online

© 2005 | EDGAR Online, Inc.